

# LCI-90

## Line Control Display



The LCI-90 is a UL-listed winch line control instrument designed as a rugged, drop-in replacement for existing line monitoring equipment. A perfect balance of size and functionality, it's the result of a decade of Measurement Technology Northwest's marine workboat, construction, and industrial machine instrumentation experience.

Five fully-sealed pushbuttons within a heavy-duty 316 stainless steel front panel access an easy-to-follow English language menu for field calibration changes, I/O channel configuration, alarm settings, network settings, and screen layout – all intuitive and right at your fingertips.

Tension, payout, and line speed are displayed on a bright 320x240 electroluminescent display for unmatched readability in all light conditions. Four I/O channels and serial networking capability provide flexibility in line monitoring, weighing, or SCADA applications, and the LCI-90 can be linked with up to 32 remote LCI-90R displays to create a shipwide monitoring network.

**Control and monitor line speed, payout, and tension (both cable and chain) in single/multi winch systems used for equipment deployment, fixed-place mooring, barge positioning, drawbridge controls, and wherever accurate and reliable line control is required.**

- Full programmability via English language menus.
- Six alarms, independently linked to any high/low setpoint parameters.
- Configurable parameter position, scale, and units.
- Network configurable.
- Three modes of analog sensor calibration.
- On screen calibration, diagnostics, and configuration security.
- Enclosure size: H5.7" x W7.6" x D4.7" (7.15" x 5.25" cutout).
- Watertight enclosure with bracket mount available.
- UL Listed Device.

**Line Controls - Dual Tension Displays - WinchDAC**

# LCI-90 Line Control Instrument

## Operator Interface Features

- Full programmability via English language menus
- Six alarms, independently linked to any parameter
- Configurable parameter position, scale, and units
- Three modes of analog sensor calibration
- Network configurable
- On-screen diagnostics
- Configuration security
- Optional PC data logging interface

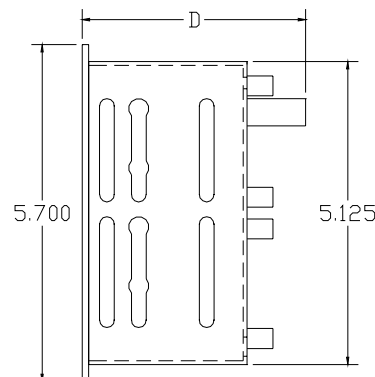
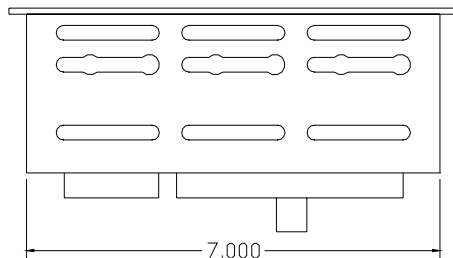
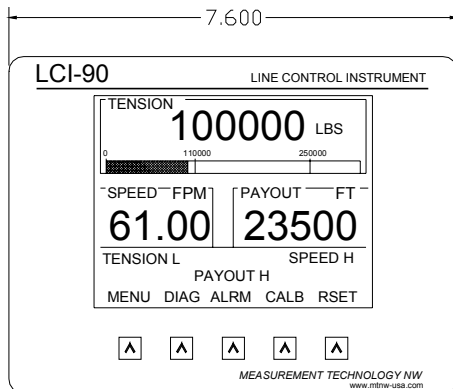
## General Specifications

Display	320x240 graphic, EL Readable in all conditions
Enclosure Size	H 5.7" x W 7.6" x D 5.0"
Operating Temperature	-40°C to 75°C standard
Environmental	NEMA 4X front panel Watertight console* Watertight rear enclosure*
Power	0.5 Amp @ 18-36 VDC 0.1 Amp (100-240 VAC)* Isolated, surge protected

## Instrument Specifications

Analog Input	4 channels 4-20 mA, 0-5 VDC, strain gauge* 0.01% full scale accuracy 1500 VDC Isolation*
Sensor Excitation	Regulated 12 and 5 VDC, 0.5 A 24 VDC unregulated, 0.2 A total
Analog Output	2 channels* 4-20 mA, 0-10 VDC
Count Input	Quadrature encoder, 5, 12-24 VDC Inductive proximity, Hall Effect 10 kHz Bandwidth
Digital I/O	4 channels* Opto modules DC output and dry contact
Serial Communication	RS-485*, isolated, 2 wire RS-232*, 2 channels, non-isolated
Alarms	Tension, Payout, and Speed High and low setpoints

\*Option



### NOTES:

- 1: Depth varies with I/O configuration  
No isolated analog or digital I/O D = 3.78  
Only isolated digital I/O D = 4.68  
Isolated analog I/O D = 4.73
- 2: Unit fits into 7.15" x 5.25" cutout
- 3: All units in inches
- 4: Panel mount configuration shown



4211- 24th Avenue West  
Seattle, WA 98199

Phone/206-634-1308  
Fax/206-634-1309

www.mtnw-usa.com